

# Data Sheet

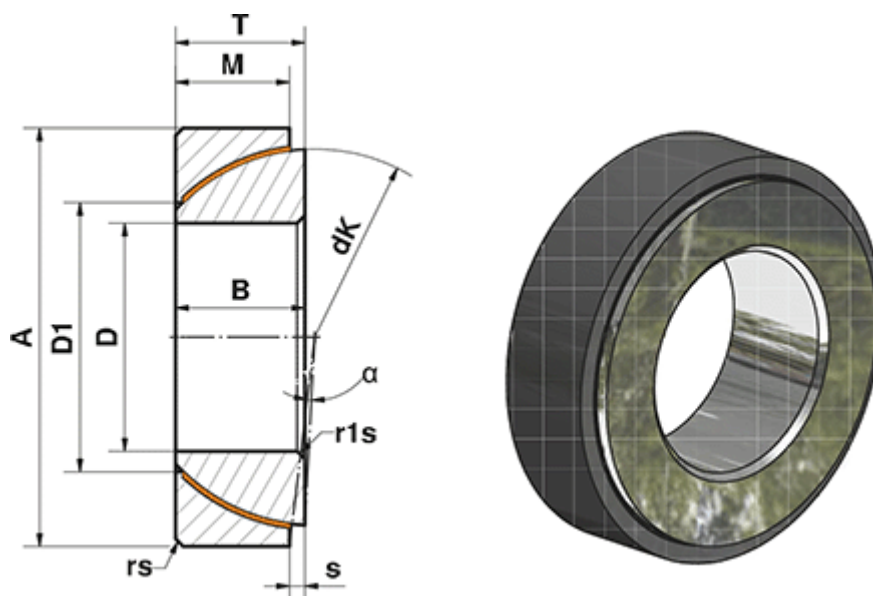


Article number: 03449160

Description: Fluro Heavy Duty Spherical Plain Bearing GE 160 SWE  
Hole  $\varnothing$ 160

Note: 160

## Measures



A	= 140	rs, r1s min	= 3
a (degrees)	= 1	S	= 20
B	= 51	Static load C0 (kN)	= 4524
D	= 160	T	= 51
D1	= 182.4	Weight (g)	= 9790
dK	= 225		
Dynamic load C (kN)	= 2714		
M	= 49		